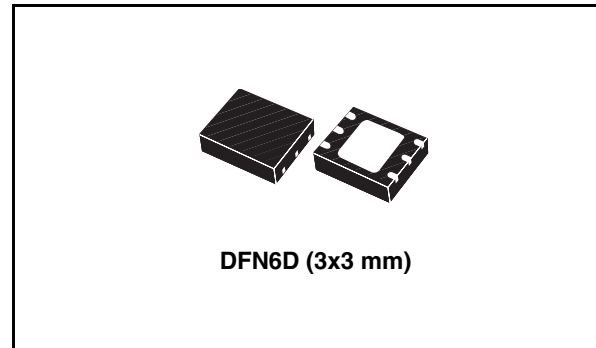


Very low quiescent BiCMOS voltage regulator

Features

- Fixed output voltage: 1.8 V, 2.5 V, 3.3 V (1.5 V, under customer request)
- Output voltage tolerance: $\pm 2\%$ at 25 °C
- Output current capability: 1 A minimum
- Very low quiescent current: max 500 μA over temperature range
- Typ. dropout 0.7 V (@ $I_O = 1\text{ A}$)
- Stable with low ESR ceramic capacitors
- Available with and without the external output voltage sense pin
- Thermal shutdown protection with hysteresis
- Over current protection
- Operating junction temperature range: from 0 to 125 °C



Internal protection circuitry includes thermal protection with hysteresis and over current limiting.

The ST1L02xx is especially suitable for data storage applications such as HDDs, where can be used to supply the read channel and memory chips requiring 3.3 V.

The regulator is available in the small and thin DFN6D (3x3 mm) package.

Description

The ST1L02xx is a low drop linear voltage regulator capable to supply up to 1 A output current.

The output voltage is fixed to 3.3 V, but under customer request, it's possible to have also 1.5 V, 1.8 V and 2.5 V. Thanks to the BiCMOS technology, the quiescent current is well controlled and maintained below 650 μA over the whole allowed junction temperature range.

The ST1L02xx is stable with low ESR output ceramic capacitors.

Table 1. Device summary

Part numbers	Order codes	Package
ST1L02XX18	ST1L02PU18R	DFN6D (3x3 mm)
ST1L02XX25	ST1L02PU25R	DFN6D (3x3 mm)
ST1L02XX33	ST1L02PU33R	DFN6D (3x3 mm)
ST1L02XX	ST1L02PUR ⁽¹⁾	DFN6D (3x3 mm)

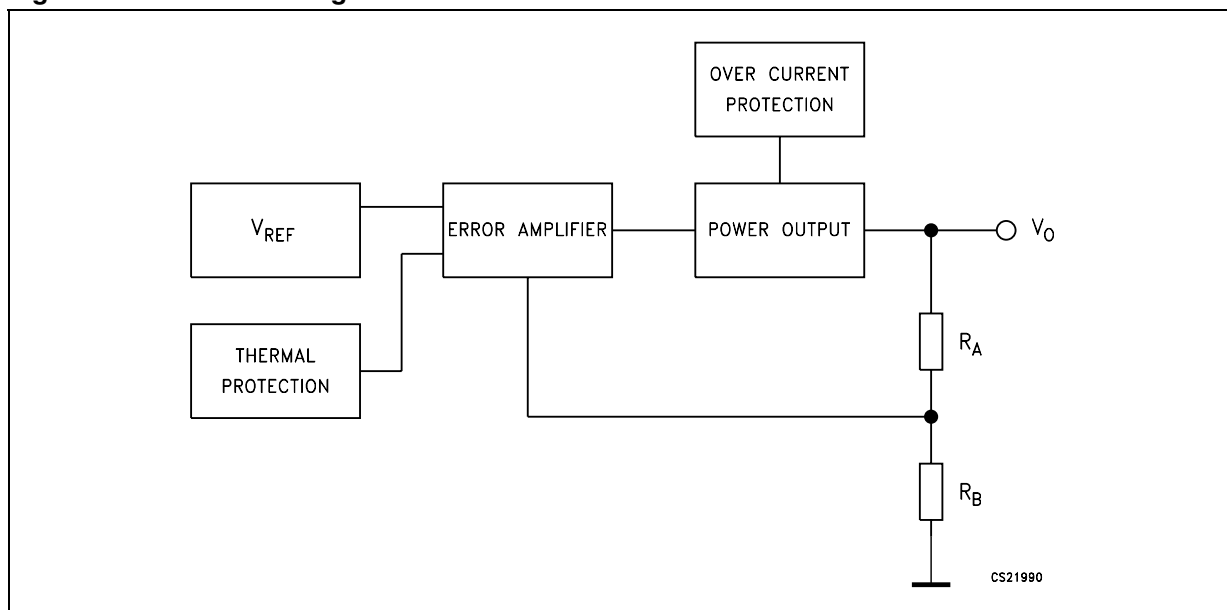
1. Only 3.3 V

Contents

1	Diagram	3
2	Pin configuration	4
3	Maximum ratings	5
4	Electrical characteristics	6
5	Typical application	9
6	Typical characteristics	10
7	Package mechanical data	14
8	Revision history	18

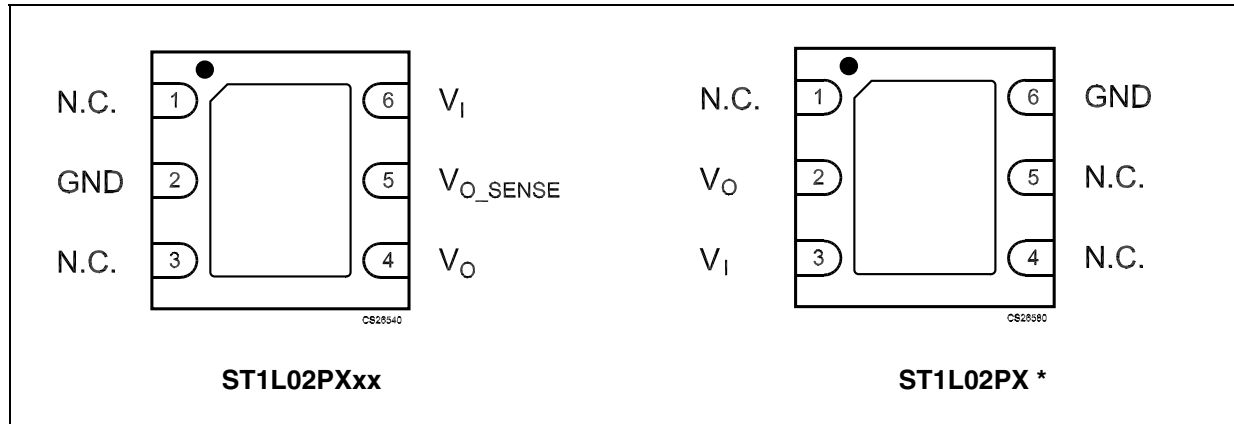
1 Diagram

Figure 1. Schematic diagram



2 Pin configuration

Figure 2. Pin connections (top through view)



* Only 3.3 V.

Table 2. Pin description

Pin n° for ST1L02PXxx	Pin n° for ST1L02PX	Symbol	Name and function
1, 3	1, 4, 5	N.C.	Not connected.
2	6	GND	Ground. The exposed metallic pad of the package is connected to GND.
4	2	V _O	Output voltage pin. Bypass with a 4.7 μF capacitor to GND.
5	-	V _{O_SENSE}	Sense output voltage pin. Must be connected to pin 4.
6	3	V _I	Supply voltage input pin. Bypass with a 4.7 μF capacitor to GND.

3 Maximum ratings

Table 3. Absolute maximum ratings

Symbol	Parameter	Value	Unit
V_I	DC supply voltage	10	V
P_{TOT}	Power dissipation	internally limited	W
I_O	Output current	internally limited	A
T_{OP}	Operating junction temperature range	0 to 150	°C
T_{STG}	Storage temperature range ⁽¹⁾	-65 to 150	°C
T_{LEAD}	Lead temperature (Soldering) 10 Sec.	260	°C

1. Storage temperature >125 °C are acceptable only if the regulator is soldered to a PCBA.

Note: Absolute maximum ratings are those values beyond which damage to the device may occur. Functional operation under these condition is not implied.

Table 4. Thermal data

Symbol	Parameter	Value	Unit
R_{thJC}	Thermal resistance junction-case	10	°C/W
R_{thJA}	Thermal resistance junction-ambient	55	°C/W

4 Electrical characteristics

Table 5. Electrical characteristics for ST1L02XX18

(refer to the typical application schematic, $V_I = 4.5\text{ V to }7\text{ V}$, $I_O = 5\text{ mA to }1\text{ A}$, $C_I = 4.7\text{ }\mu\text{F}$, $C_O = 4.7\text{ }\mu\text{F}$, $T_J = 0\text{ to }125\text{ }^\circ\text{C}$, unless otherwise specified). Typical values are intended at $T_J = 25\text{ }^\circ\text{C}$ unless otherwise specified.

Symbol	Parameter	Test	Min.	Typ.	Max.	Unit
V_O	Output voltage	$V_I = 4.75\text{ V to }5.25\text{ V}$, $T=25^\circ\text{C}$	1.764	1.8	1.836	V
V_O	Output voltage	$V_I = 4.75\text{ V to }5.25\text{ V}$	1.746	1.8	1.854	V
ΔV_O	Line regulation	$V_I = 4.75\text{ V to }5.25\text{ V}$			15	mV
ΔV_O	Load regulation	$V_I = 4.75\text{ V}$, $I_O = 10\text{ mA to }1\text{ A}$			10	mV
I_S	Output current limit	$V_I = 5.5\text{ V}$	1.0			A
$I_{O\text{MIN}}$	Minimum output current for regulation				2	mA
V_d	Dropout voltage ⁽¹⁾	$I_O = 0.8\text{ A}$			1.6	V
		$I_O = 1\text{ A}$			1.6	V
I_Q	Quiescent current	$V_I = 5\text{ V}$, $I_O = 2\text{ mA to }1\text{ A}$, $T = 25^\circ\text{C}$			500	μA
I_Q	Quiescent current	$V_I = 7\text{ V}$, $I_O = 2\text{ mA to }1\text{ A}$			650	μA
SVR	Supply voltage rejection ⁽²⁾	$V_I = 5 \pm 0.5\text{ V}$, $I_O = 5\text{ mA}$, $f = 120\text{ Hz}$	50	75		dB
eN	RMS Output noise ⁽²⁾	$B = 10\text{ Hz to }10\text{ kHz}$, $V_I = 5\text{ V}$, $I_O = 5\text{ mA}$		0.003		$\%V_O$
$\Delta V_O/\Delta I_O$	Load transient (rising) ⁽³⁾	$V_I = 5\text{ V}$, any 200 mA step from 100 mA to 1 A, $t_R \geq 1\text{ }\mu\text{s}$			5	$\%V_O$
$\Delta V_O/\Delta I_O$	Load transient (falling) ⁽³⁾	$V_I = 5\text{ V}$, $I_O = 1\text{ A to }10\text{ mA}$, $t_F \geq 1\text{ }\mu\text{s}$			3.6	V
$\Delta V_O/\Delta V_I$	Start-up transient ⁽³⁾	$V_I = 0\text{ V to }5\text{ V}$, $I_O = 10\text{ mA to }1\text{ A}$, $t_R \geq 1\text{ }\mu\text{s}$			3.5	V
$\Delta V_O/\Delta I_O$	Short circuit removal response ⁽³⁾	$V_I = 5\text{ V}$, $I_O = \text{short to }10\text{ mA}$			3.5	V
T_{SH}	Thermal shutdown trip point ⁽³⁾	$V_I = 5\text{ V}$		165		$^\circ\text{C}$

1. See minimum start-up voltage, $V_I = 3.3\text{ V}$.

2. Guaranteed by design. Not tested in production.

3. $C_I = 10\text{ }\mu\text{F}$, $C_O = 10\text{ }\mu\text{F}$, all X7R ceramic capacitors.

Table 6. Electrical characteristics for ST1L02XX25

(refer to the typical application schematic, $V_I = 4.5\text{ V}$ to 7 V , $I_O = 5\text{ mA}$ to 1 A , $C_I = 4.7\text{ }\mu\text{F}$, $C_O = 4.7\text{ }\mu\text{F}$, $T_J = 0$ to $125\text{ }^\circ\text{C}$, unless otherwise specified). Typical values are intended at $T_J = 25\text{ }^\circ\text{C}$ unless otherwise specified.

Symbol	Parameter	Test	Min.	Typ.	Max.	Unit
V_O	Output voltage	$V_I = 4.75\text{ V}$ to 5.25 V , $T = 25^\circ\text{C}$	2.45	2.5	2.55	V
V_O	Output voltage	$V_I = 4.75\text{ V}$ to 5.25 V	2.4375	2.5	2.5625	V
ΔV_O	Line regulation	$V_I = 4.75\text{ V}$ to 5.25 V			15	mV
ΔV_O	Load regulation	$V_I = 4.75\text{ V}$, $I_O = 10\text{ mA}$ to 1 A			10	mV
I_S	Output current limit	$V_I = 5.5\text{ V}$	1.0			A
$I_{O\text{MIN}}$	Minimum output current for regulation				2	mA
V_d	Dropout voltage ⁽¹⁾	$I_O = 0.8\text{ A}$		0.6	1.0	V
		$I_O = 1\text{ A}$		0.7	1.1	V
I_Q	Quiescent current	$V_I = 5\text{ V}$, $I_O = 2\text{ mA}$ to 1 A , $T = 25^\circ\text{C}$			500	μA
I_Q	Quiescent current	$V_I = 7\text{ V}$, $I_O = 2\text{ mA}$ to 1 A			650	μA
SVR	Supply voltage rejection ⁽²⁾	$V_I = 5 \pm 0.5\text{ V}$, $I_O = 5\text{ mA}$, $f = 120\text{ Hz}$	50	75		dB
eN	RMS Output noise ⁽²⁾	$B = 10\text{ Hz}$ to 10 kHz , $V_I = 5\text{ V}$, $I_O = 5\text{ mA}$		0.003		$\%V_O$
$\Delta V_O/\Delta I_O$	Load transient (rising) ⁽³⁾	$V_I = 5\text{ V}$, any 200 mA step from 100 mA to 1 A , $t_R \geq 1\text{ }\mu\text{s}$			5	$\%V_O$
$\Delta V_O/\Delta I_O$	Load transient (falling) ⁽³⁾	$V_I = 5\text{ V}$, $I_O = 1\text{ A}$ to 10 mA , $t_F \geq 1\text{ }\mu\text{s}$			3.6	V
$\Delta V_O/\Delta V_I$	Start-up transient ⁽³⁾	$V_I = 0\text{ V}$ to 5 V , $I_O = 10\text{ mA}$ to 1 A , $t_R \geq 1\text{ }\mu\text{s}$			3.5	V
$\Delta V_O/\Delta I_O$	Short circuit removal response ⁽³⁾	$V_I = 5\text{ V}$, $I_O = \text{short}$ to 10 mA			3.5	V
T_{SH}	Thermal shutdown trip point ⁽²⁾	$V_I = 5\text{ V}$		165		$^\circ\text{C}$

1. See minimum start-up voltage, $V_I = 3.2\text{ V}$.
2. Guaranteed by design. Not tested in production
3. $C_I = 10\text{ }\mu\text{F}$, $C_O = 10\text{ }\mu\text{F}$, all X7R ceramic capacitors.

Table 7. Electrical characteristics for ST1L02XX33

(refer to the typical application schematic, $V_I = 4.5\text{V}$ to 7V , $I_O = 5\text{mA}$ to 1A , $C_I = 4.7\mu\text{F}$, $C_O = 4.7\mu\text{F}$, $T_J = 0$ to $125\text{ }^\circ\text{C}$, unless otherwise specified). Typical values are intended at $T_J = 25\text{ }^\circ\text{C}$ unless otherwise specified.

Symbol	Parameter	Test	Min.	Typ.	Max.	Unit
V_O	Output voltage	$V_I = 4.75\text{ V}$ to 5.25 V , $T = 25^\circ\text{C}$	3.234	3.3	3.366	V
V_O	Output voltage	$V_I = 4.75\text{ V}$ to 5.25 V	3.2175	3.3	3.3825	V
ΔV_O	Line regulation	$V_I = 4.75\text{ V}$ to 5.25 V			15	mV
ΔV_O	Load regulation	$V_I = 4.75\text{ V}$, $I_O = 10\text{ mA}$ to 1 A			10	mV
I_S	Output current limit	$V_I = 5.5\text{ V}$	1.0			A
$I_{O\text{MIN}}$	Minimum output current for regulation				2	mA
V_d	Dropout voltage	$I_O = 0.8\text{ A}$		0.6	1.0	V
		$I_O = 1\text{ A}$		0.7	1.1	V
I_Q	Quiescent current	$V_I = 5\text{ V}$, $I_O = 2\text{ mA}$ to 1 A , $T = 25^\circ\text{C}$			500	μA
I_Q	Quiescent current	$V_I = 7\text{ V}$, $I_O = 2\text{ mA}$ to 1 A			650	μA
SVR	Supply voltage rejection ⁽²⁾	$V_I = 5 \pm 0.5\text{V}$, $I_O = 5\text{ mA}$, $f = 120\text{ Hz}$	50	75		dB
eN	RMS Output noise ⁽²⁾	$B = 10\text{ Hz}$ to 10 kHz , $V_I = 5\text{ V}$, $I_O = 5\text{ mA}$		0.003		$\%V_O$
$\Delta V_O/\Delta I_O$	Load transient (rising) ⁽¹⁾	$V_I = 5\text{ V}$, any 200 mA step from 100 mA to 1 A , $t_R \geq 1\text{ }\mu\text{s}$			5	$\%V_O$
$\Delta V_O/\Delta I_O$	Load transient (falling) ⁽¹⁾	$V_I = 5\text{ V}$, $I_O = 1\text{ A}$ to 10 mA , $t_F \geq 1\text{ }\mu\text{s}$			3.6	V
$\Delta V_O/\Delta V_I$	Start-up transient ⁽¹⁾	$V_I = 0\text{ V}$ to 5 V , $I_O = 10\text{ mA}$ to 1 A , $t_R \geq 1\text{ }\mu\text{s}$			3.5	V
$\Delta V_O/\Delta I_O$	Short circuit removal response ⁽¹⁾	$V_I = 5\text{ V}$, $I_O = \text{short}$ to 10 mA			3.5	V
T_{SH}	Thermal shutdown trip point ⁽²⁾	$V_I = 5\text{ V}$		165		$^\circ\text{C}$

1. $C_I = 10\text{ }\mu\text{F}$, $C_O = 10\text{ }\mu\text{F}$, all X7R ceramic capacitors.

2. Guaranteed by design. Not tested in production.

5 Typical application

Figure 3. Application schematic for ST1L02PM

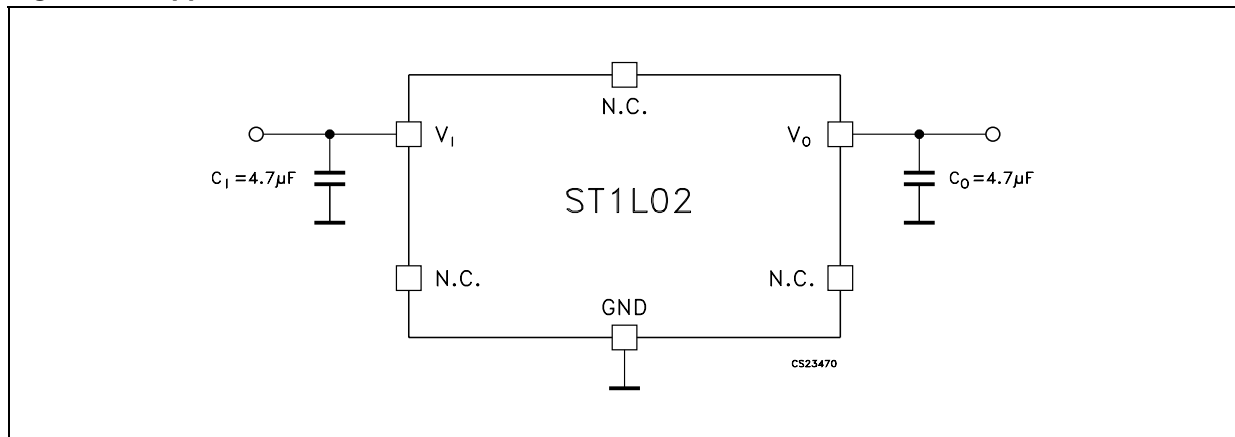
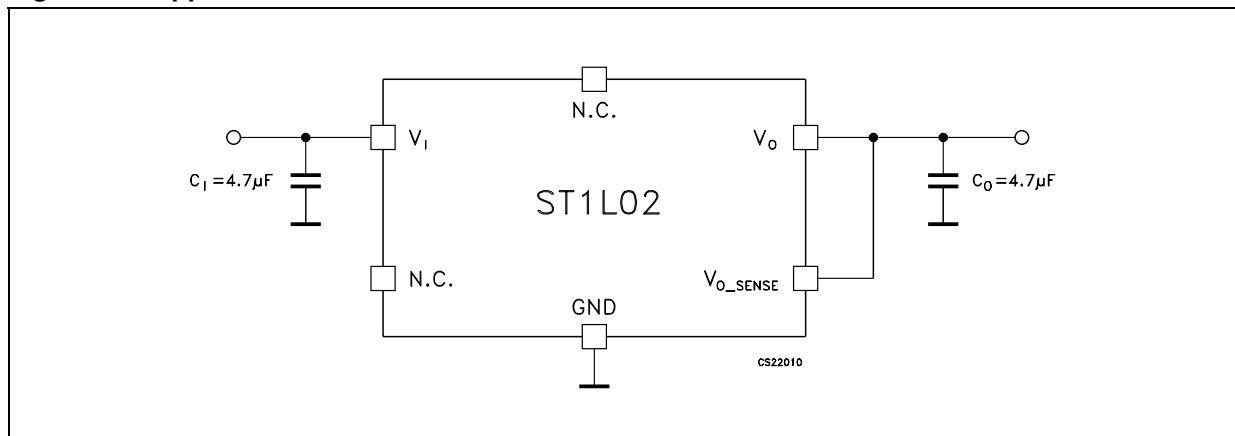


Figure 4. Application schematic for ST1L02PMxx



Note: The regulator is designed to be stable with either tantalum and ceramic capacitors on the input and the output. The expected values of the input and output ceramic capacitors are from 1 μF to 22 μF with 4.7 μF typical. The input capacitor must be connected within 0.5 inches of the V_I terminal. The output capacitor must also be connected within 0.5 inches of output pin. There is no upper limit to the value of the input capacitor.

6 Typical characteristics

Figure 5. Output voltage vs temperature

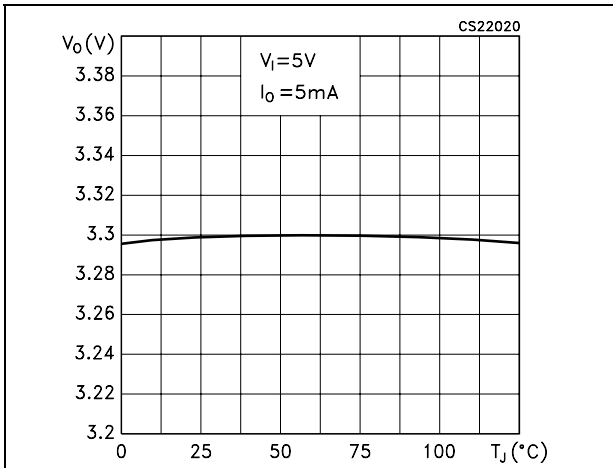


Figure 6. Line regulation vs temperature

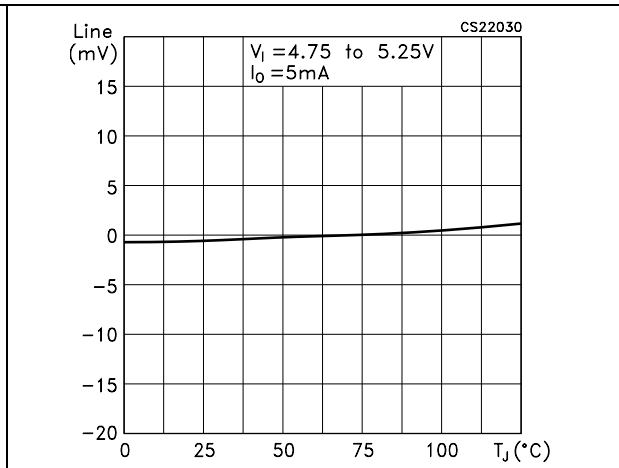


Figure 7. Line regulation vs temperature

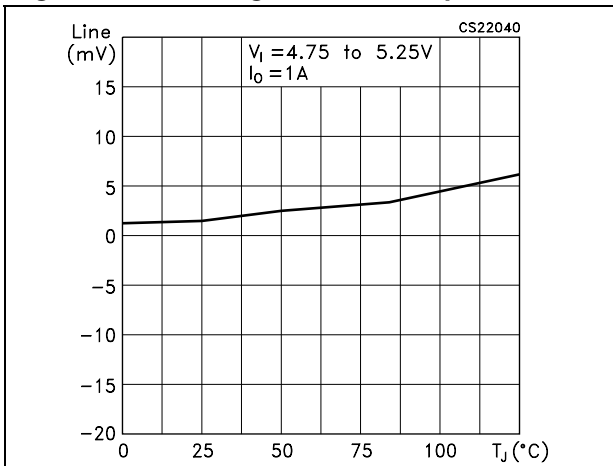


Figure 8. Load regulation vs temperature

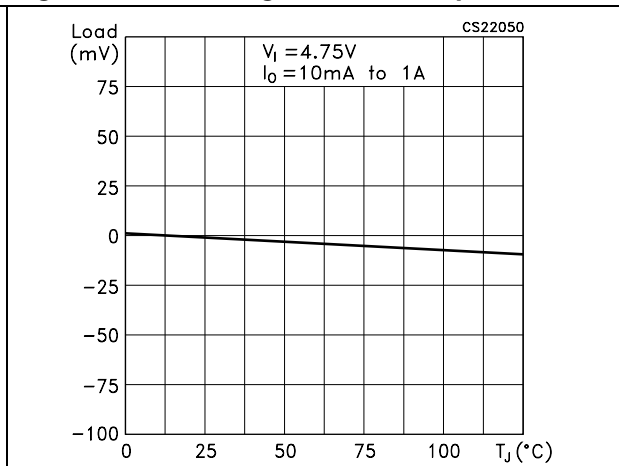


Figure 9. Dropout voltage vs temperature

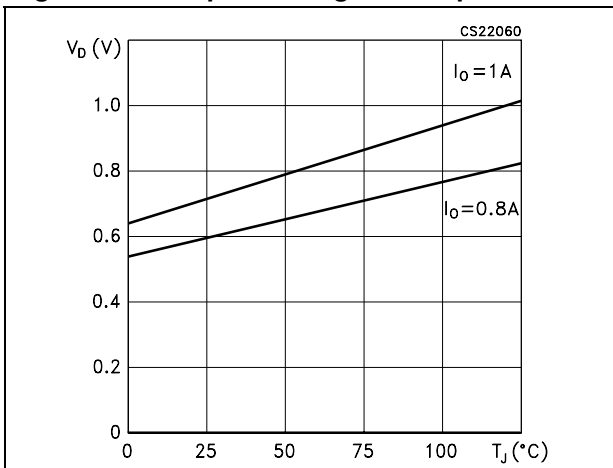


Figure 10. Quiescent current vs temperature

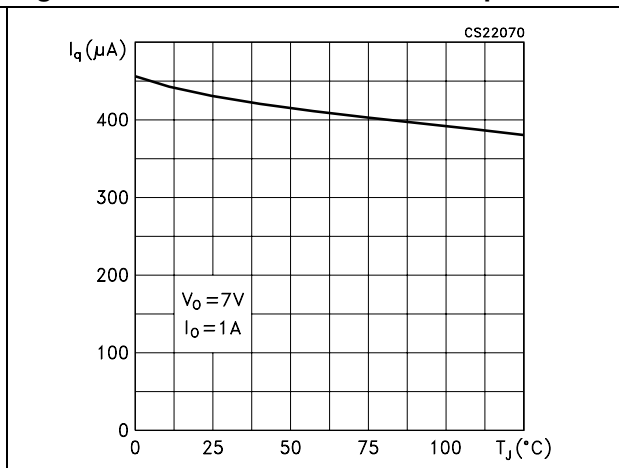


Figure 11. Quiescent current vs temperature

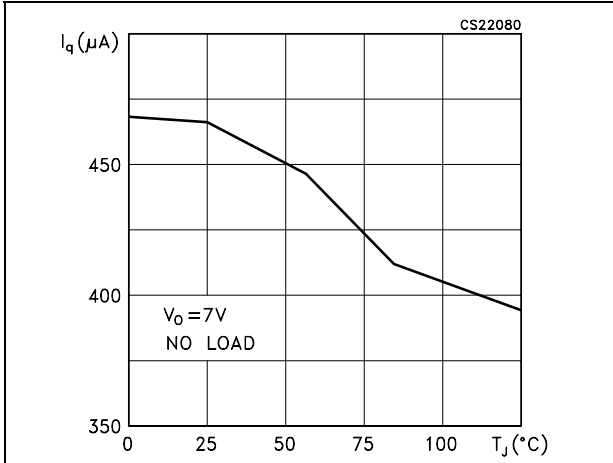


Figure 12. Quiescent current vs temperature

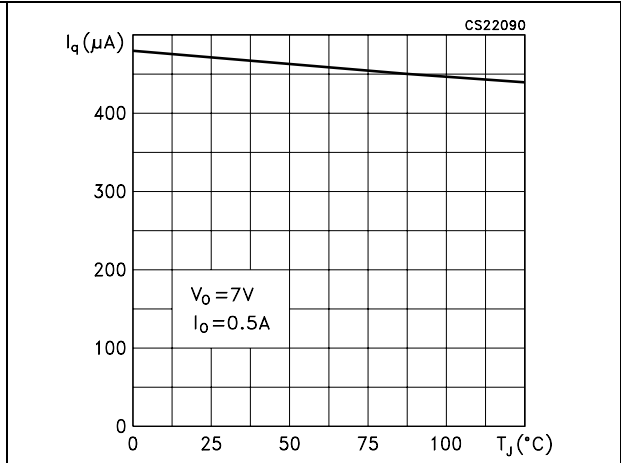


Figure 13. Quiescent current vs temperature

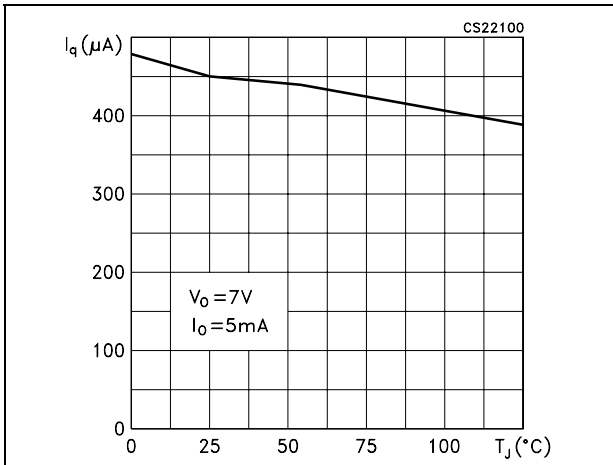


Figure 14. Quiescent current vs output current

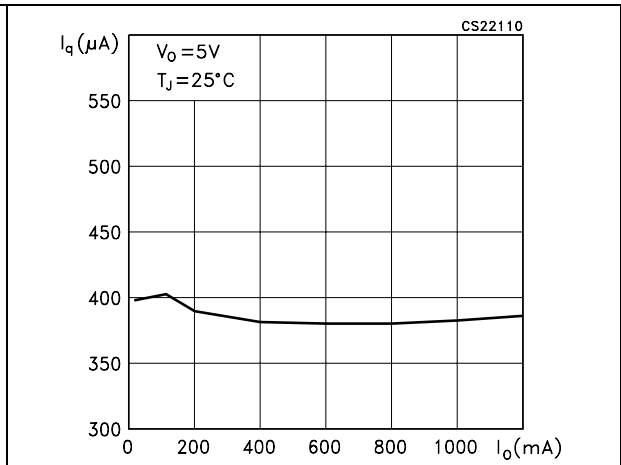


Figure 15. Supply voltage rejection vs temperature

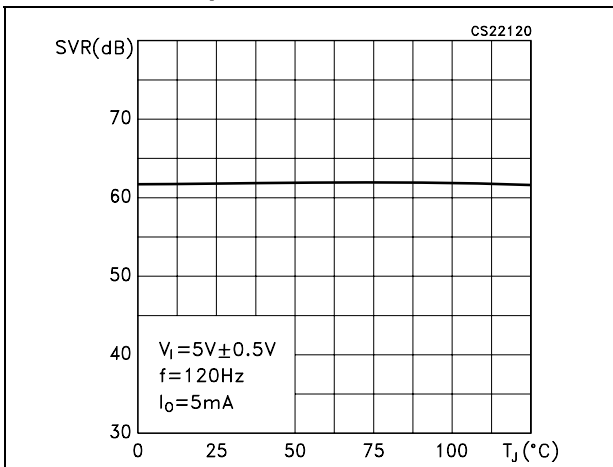


Figure 16. Supply voltage rejection vs frequency

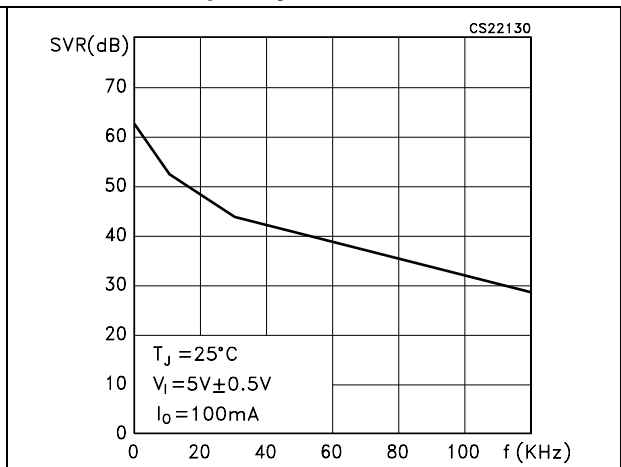


Figure 17. Output noise vs frequency

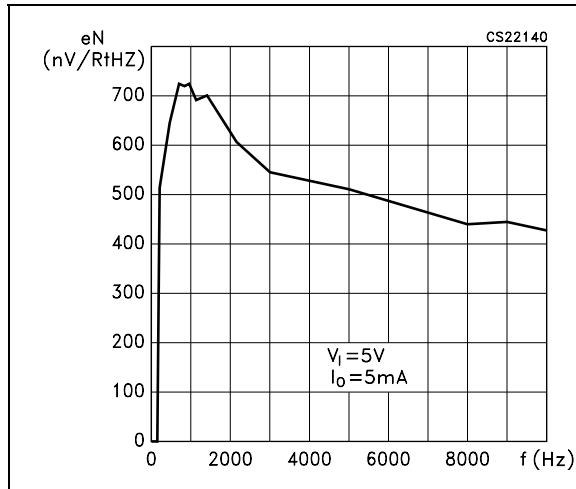


Figure 19. Change of V_O with step load change

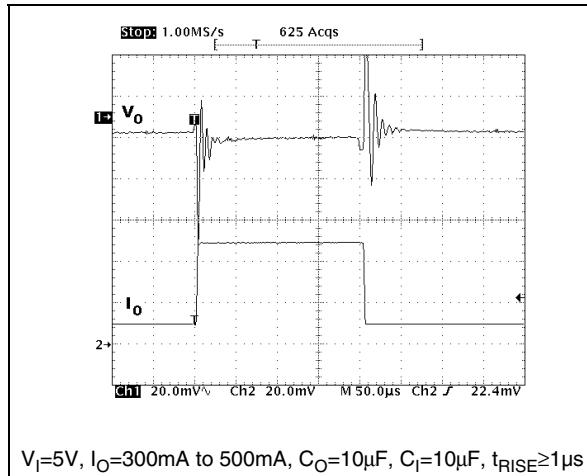


Figure 21. Change of V_O with step load change

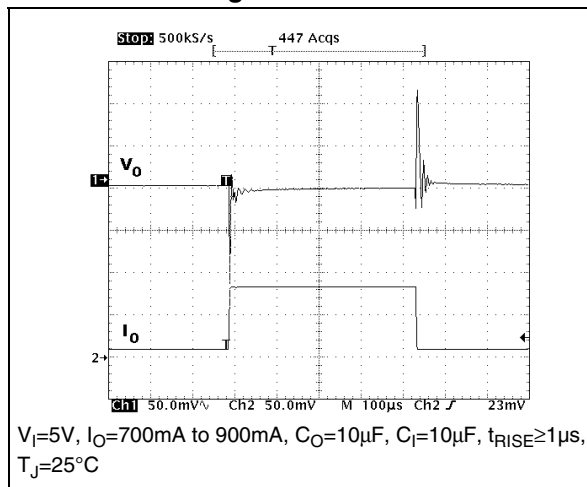


Figure 22. Change of V_O with step load change

Figure 18. Change of V_O with step load change

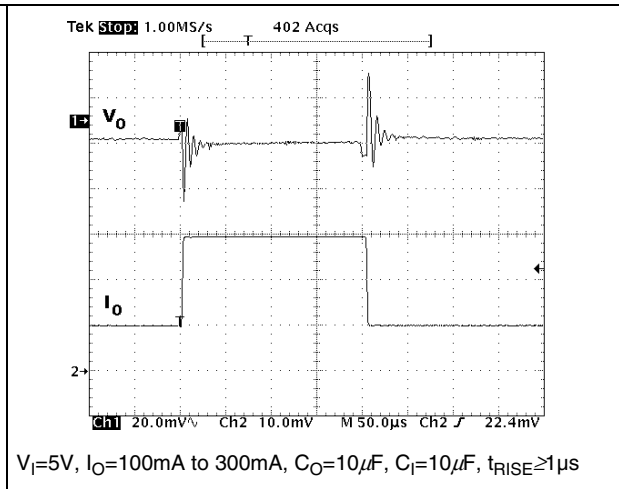


Figure 20. Change of V_O with step load change

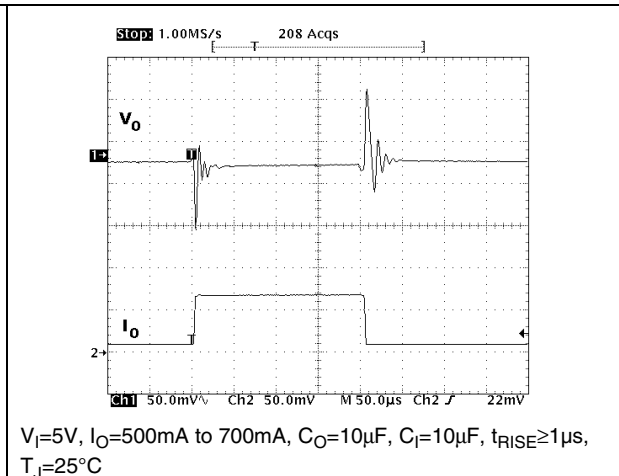


Figure 23. Change of V_O with step load change

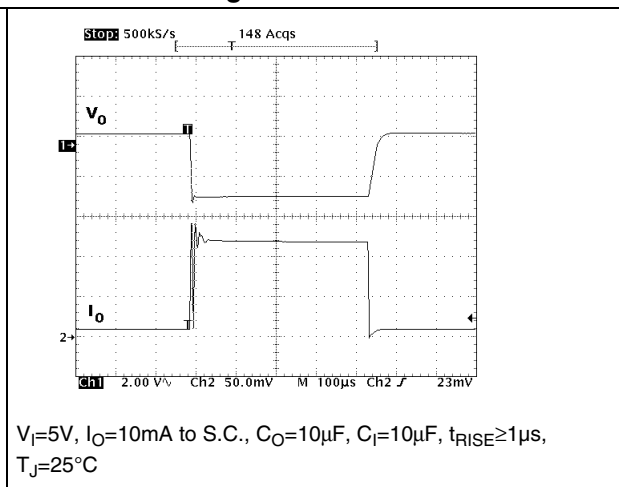
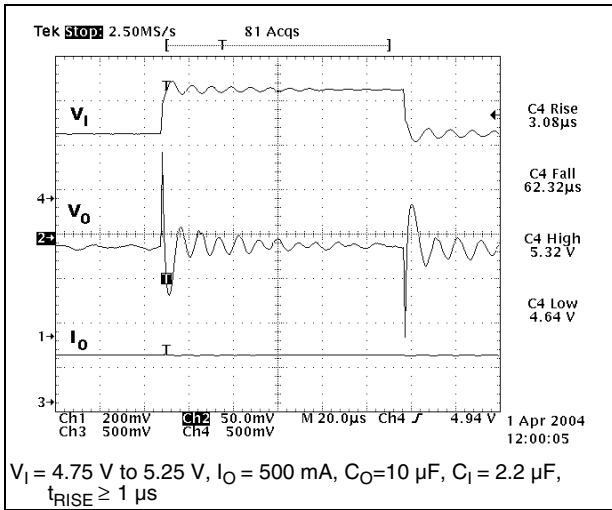


Figure 23. Line transient

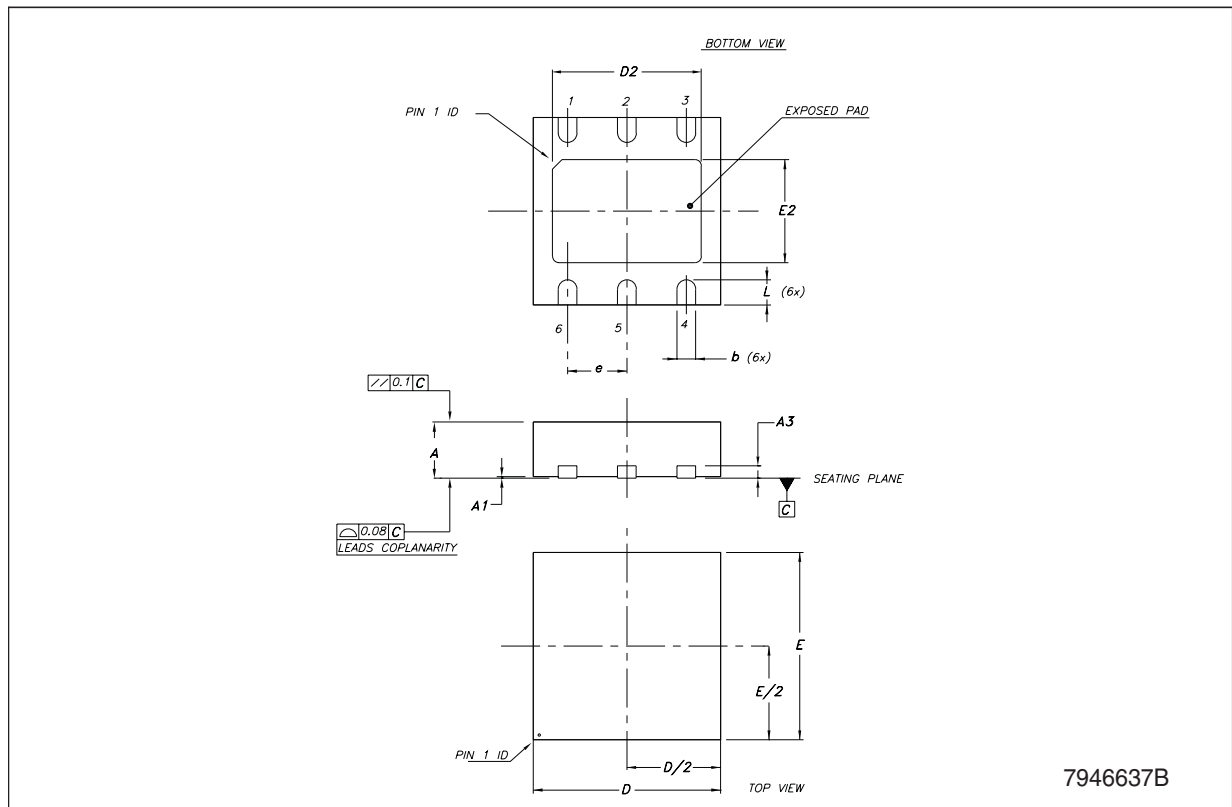


7 Package mechanical data

In order to meet environmental requirements, ST offers these devices in ECOPACK® packages. These packages have a lead-free second level interconnect. The category of second Level Interconnect is marked on the package and on the inner box label, in compliance with JEDEC Standard JESD97. The maximum ratings related to soldering conditions are also marked on the inner box label. ECOPACK is an ST trademark. ECOPACK specifications are available at: www.st.com.

DFN6D (3x3 mm) mechanical data

Dim.	mm.			inch.		
	Min.	Typ.	Max.	Min.	Typ.	Max.
A	0.80		1.00	0.031		0.039
A1	0	0.02	0.05	0	0.001	0.002
A3		0.20			0.008	
b	0.23		0.45	0.009		0.018
D	2.90	3.00	3.10	0.114	0.118	0.122
D2	2.23		2.50	0.088		0.098
E	2.90	3.00	3.10	0.114	0.118	0.122
E2	1.50		1.75	0.059		0.069
e		0.95			0.037	
L	0.30	0.40	0.50	0.012	0.016	0.020



Tape & Reel QFNxx/DFNxx (3x3) Mechanical Data

Dim.	mm.			inch.		
	Min.	Typ.	Max.	Min.	Typ.	Max.
A			330			12.992
C	12.8		13.2	0.504		0.519
D	20.2			0.795		
N	60			2.362		
T			18.4			0.724
Ao		3.3		0.130		
Bo		3.3		0.130		
Ko		1.1		0.043		
Po		4		0.157		
P		8		0.315		

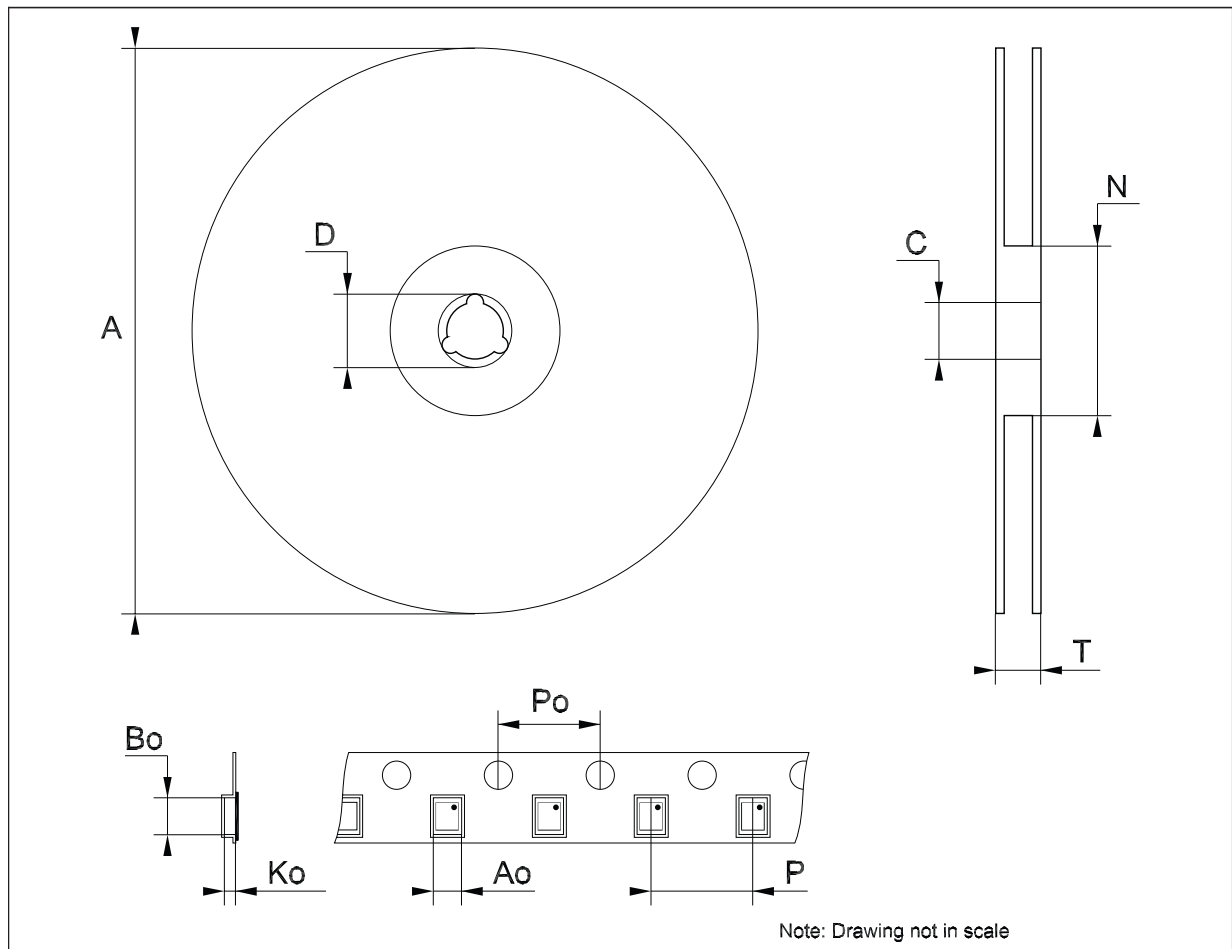
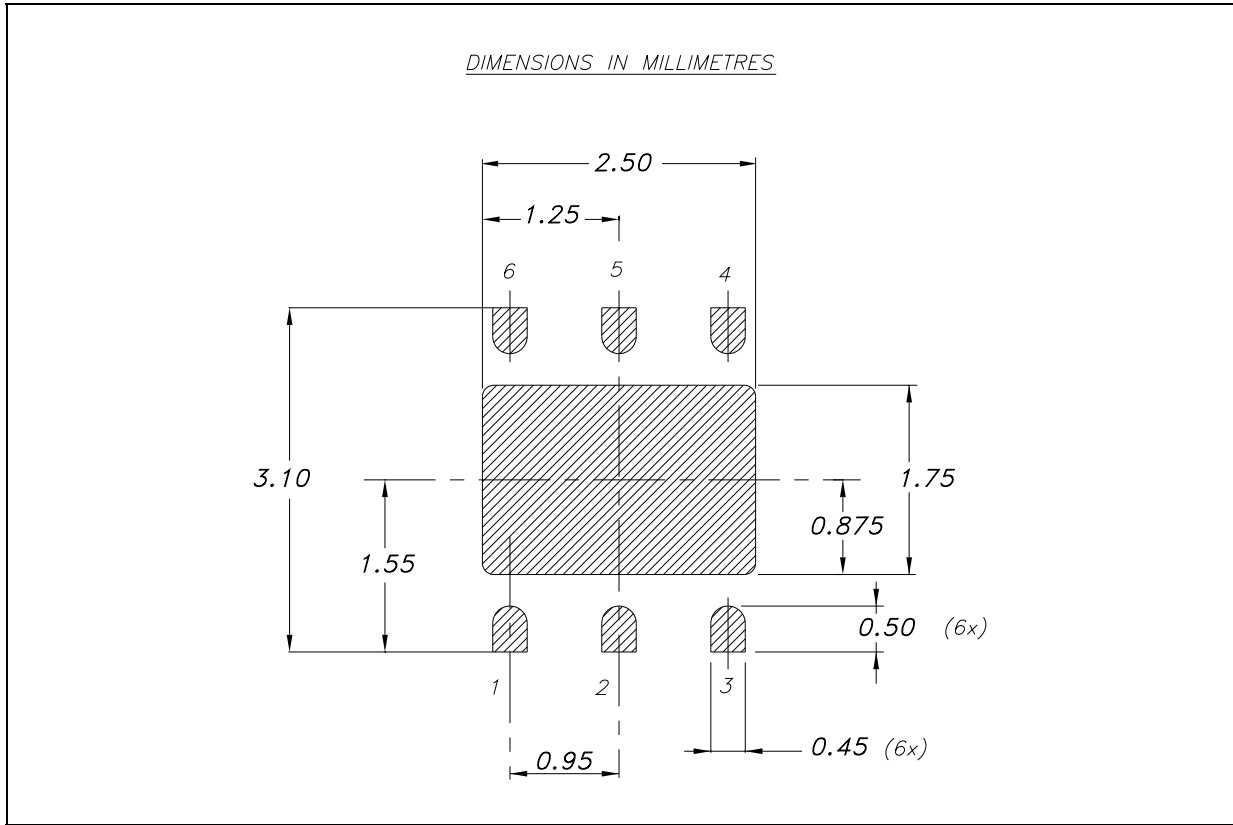


Figure 24. DFN6 (3x3 mm) footprint recommended data



8 Revision history

Table 8. Document revision history

Date	Revision	Changes
25-Feb-2005	1	First release.
10-Jan-2006	2	Add new order codes and tables of the electrical characteristics.
16-May-2006	3	General feature has been updated and add note 3 in table 6.
05-Jul-2006	4	Updated mechanical data DFN6 (3x3).
22-Feb-2007	5	Add note in Figure 2 and in order codes.
03-Apr-2007	6	Add order codes and mechanical data DFN6D.
05-Sep-2007	7	Add Table 1 in cover page.
12-Mar-2008	8	Removed: mechanical data DFN6.

Please Read Carefully:

Information in this document is provided solely in connection with ST products. STMicroelectronics NV and its subsidiaries ("ST") reserve the right to make changes, corrections, modifications or improvements, to this document, and the products and services described herein at any time, without notice.

All ST products are sold pursuant to ST's terms and conditions of sale.

Purchasers are solely responsible for the choice, selection and use of the ST products and services described herein, and ST assumes no liability whatsoever relating to the choice, selection or use of the ST products and services described herein.

No license, express or implied, by estoppel or otherwise, to any intellectual property rights is granted under this document. If any part of this document refers to any third party products or services it shall not be deemed a license grant by ST for the use of such third party products or services, or any intellectual property contained therein or considered as a warranty covering the use in any manner whatsoever of such third party products or services or any intellectual property contained therein.

UNLESS OTHERWISE SET FORTH IN ST'S TERMS AND CONDITIONS OF SALE ST DISCLAIMS ANY EXPRESS OR IMPLIED WARRANTY WITH RESPECT TO THE USE AND/OR SALE OF ST PRODUCTS INCLUDING WITHOUT LIMITATION IMPLIED WARRANTIES OF MERCHANTABILITY, FITNESS FOR A PARTICULAR PURPOSE (AND THEIR EQUIVALENTS UNDER THE LAWS OF ANY JURISDICTION), OR INFRINGEMENT OF ANY PATENT, COPYRIGHT OR OTHER INTELLECTUAL PROPERTY RIGHT.

UNLESS EXPRESSLY APPROVED IN WRITING BY AN AUTHORIZED ST REPRESENTATIVE, ST PRODUCTS ARE NOT RECOMMENDED, AUTHORIZED OR WARRANTED FOR USE IN MILITARY, AIR CRAFT, SPACE, LIFE SAVING, OR LIFE SUSTAINING APPLICATIONS, NOR IN PRODUCTS OR SYSTEMS WHERE FAILURE OR MALFUNCTION MAY RESULT IN PERSONAL INJURY, DEATH, OR SEVERE PROPERTY OR ENVIRONMENTAL DAMAGE. ST PRODUCTS WHICH ARE NOT SPECIFIED AS "AUTOMOTIVE GRADE" MAY ONLY BE USED IN AUTOMOTIVE APPLICATIONS AT USER'S OWN RISK.

Resale of ST products with provisions different from the statements and/or technical features set forth in this document shall immediately void any warranty granted by ST for the ST product or service described herein and shall not create or extend in any manner whatsoever, any liability of ST.

ST and the ST logo are trademarks or registered trademarks of ST in various countries.

Information in this document supersedes and replaces all information previously supplied.

The ST logo is a registered trademark of STMicroelectronics. All other names are the property of their respective owners.

© 2008 STMicroelectronics - All rights reserved

STMicroelectronics group of companies

Australia - Belgium - Brazil - Canada - China - Czech Republic - Finland - France - Germany - Hong Kong - India - Israel - Italy - Japan - Malaysia - Malta - Morocco - Singapore - Spain - Sweden - Switzerland - United Kingdom - United States of America

www.st.com